



Lay In Diffuser DP3T Steel / DP3U Aluminium

DUCTS+GRILLES+DIFFUSERS+FILTERS+FITTINGS+LOUVERS+DAMPERS

Steel modular diffuser for 24 x 24-inch ceilings, with 3 stamped front deflectors that distribute air 360° uniformly and silently, aerodynamic box, and circular collar for flexible duct connection.

1

Finishes

Baked electrostatic powder coating in Gloss White (standard). (Other colors available)

2

Dimensions

Available in 6", 8", 10", 12", 14", and 16" diameter collars

3

Construction

Made entirely of Steel (DP3T) with an option in Aluminum (DP3U)

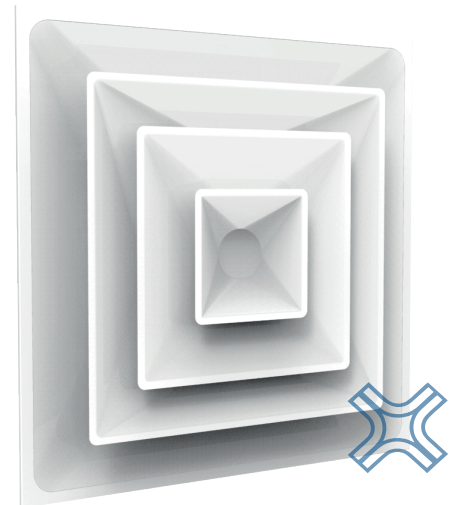
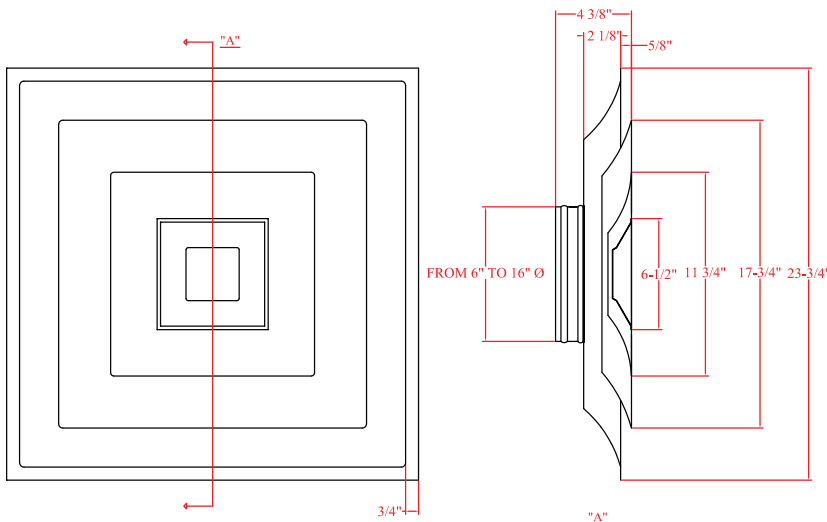
4

Applications

For installation in drop ceilings for department stores, restaurants, public offices, hospitals, etc.

5

View DP3



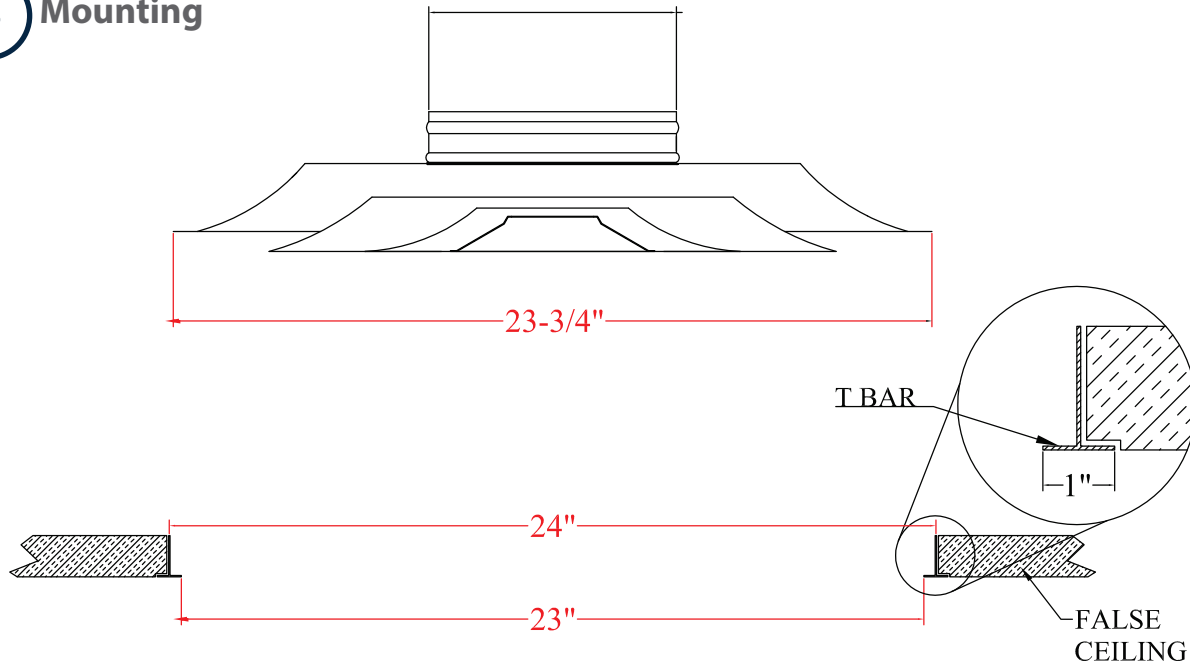
PACKAGING:
Airtight plastic packaging for fixing screws.



Lay In Diffuser DP3T Steel / DP3U Aluminium

DUCTS+GRILLES+DIFFUSERS+FILTERS+FITTINGS+LOUVERS+DAMPERS

6 Mounting



7 Nomenclature

DP3 T B 12
PRODUCTO MATERIAL COLOR DE PINTURA DIAMETER

DP3 PRODUCT	T MATERIAL	B PAINT COLOR	12 DIAMETER
DP3 CEILING DIFFUSER WITH 3 STAMPED DEFLECTORS	T UNINSULATED STEEL	B WHITE	06
	U UNINSULATED ALUMINUM	S UNPAINTED	08
		A NATURAL ALUMINUM	10
	N BLACK		12
			14
			16



Lay In Diffuser DP3T Steel / DP3U Aluminium

DUCTS+GRILLES+DIFFUSERS+FILTERS+FITTINGS+LOUVERS+DAMPERS

8 Accessories (OPTIONAL)



Damper CONCC

Galvanized steel circular connector with damper for air volume adjustment



Damper CONEC

Galvanized sheet circular connector used for connecting flexible duct to the main rectangular duct.



Damper COREC

Reinforced airtight circular damper with circumferential neoprene seal.



Butterfly Damper CVM

Opposed blade butterfly volume control