



## Lay In Diffuser DPET Steel / DPEU Aluminium

DUCTS+GRILLES+DIFFUSERS+FILTERS+FITTINGS+LOUVERS+DAMPERS

Steel modular diffuser for 24 x 24-inch ceilings, with 3 stamped front deflectors that distribute air 360° uniformly and silently, aerodynamic box, and circular collar for flexible duct connection.

1

### Finishes

Baked electrostatic powder coating in Gloss White (standard). (Other colors available)

2

### Dimensions

Available in 6", 8", 10", 12", 14", and 16" diameter collars

3

### Construction

Made entirely of Steel (DPET) with an option in Aluminum (DPEU)

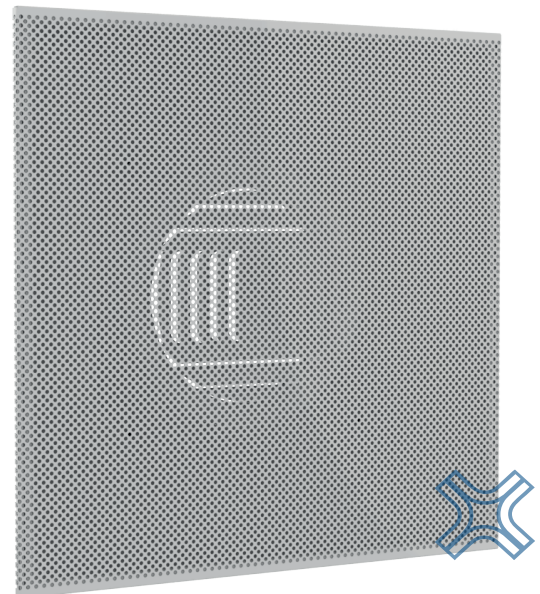
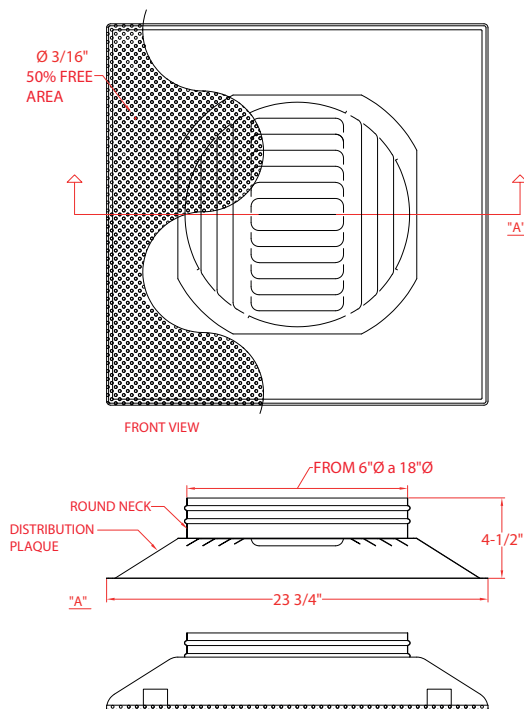
4

### Applications

For installation in drop ceilings for department stores, restaurants, public offices, hospitals, etc.

5

### View DPE



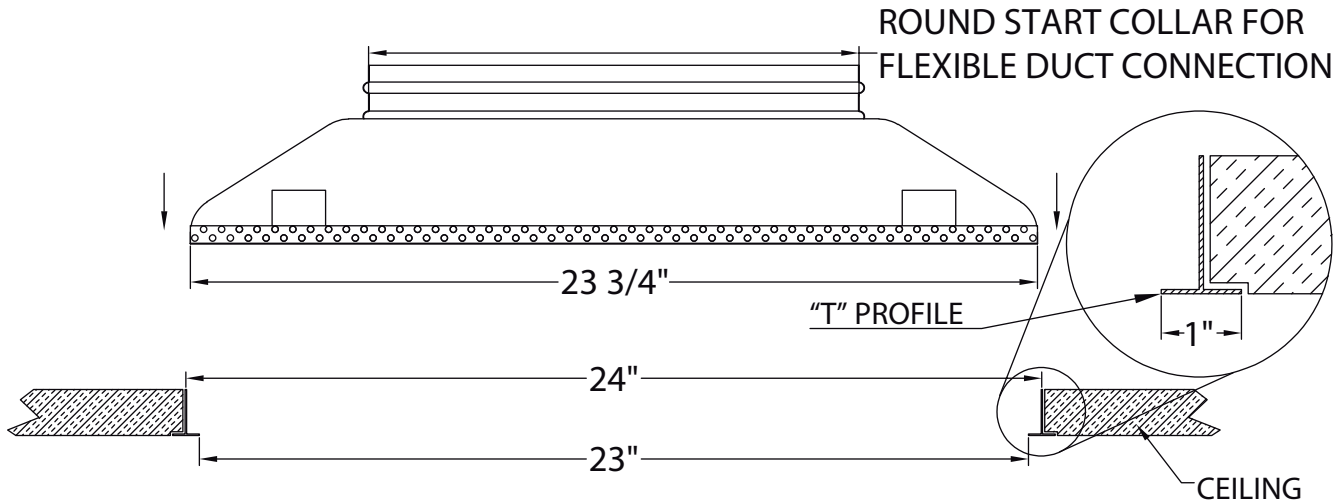
**PACKAGING:**  
Airtight plastic packaging for fixing screws.



## Lay In Diffuser DPET Steel / DPEU Aluminium

DUCTS+GRILLES+DIFFUSERS+FILTERS+FITTINGS+LOUVERS+DAMPERS

### 6 Mounting



### 7 Nomenclature

**DPE T B 12**

PRODUCTO MATERIAL COLOR DE PINTURA DIAMETER

DPE PRODUCT	T MATERIAL	B PAINT COLOR	12 DIAMETER
DPE PERFORATED FACE CEILING DIFFUSER WITH 4-WAY DEFLECTOR	T UNINSULATED STEEL	B WHITE	06
	U UNINSULATED ALUMINUM	S UNPAINTED	08
		A NATURAL ALUMINUM	10
	N BLACK		12
			14
			16



## Lay In Diffuser DPET Steel / DPEU Aluminium

DUCTS+GRILLES+DIFFUSERS+FILTERS+FITTINGS+LOUVERS+DAMPERS

### 8 Accessories (OPTIONAL)



#### Damper CONCC

Galvanized steel circular connector with damper for air volume adjustment



#### Damper CONEC

Galvanized sheet circular connector used for connecting flexible duct to the main rectangular duct.



#### Damper COREC

Reinforced airtight circular damper with circumferential neoprene seal.



#### Butterfly Damper CVM

Opposed blade butterfly volume control